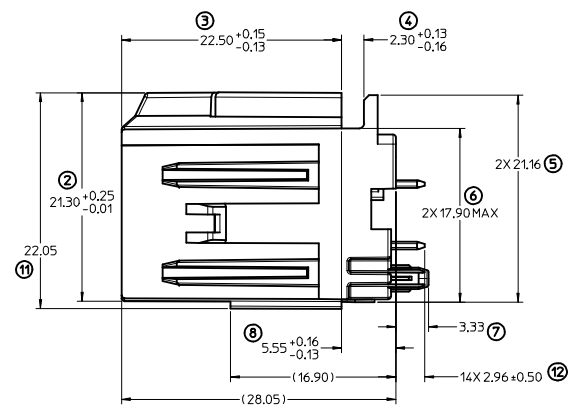
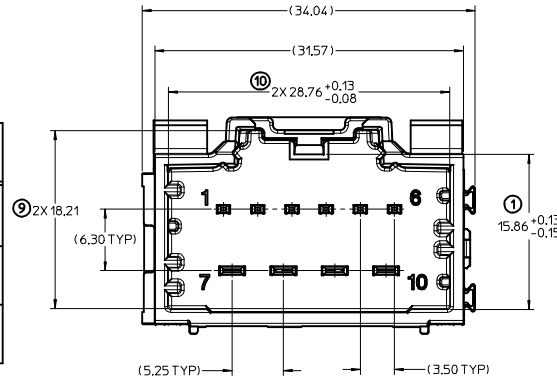
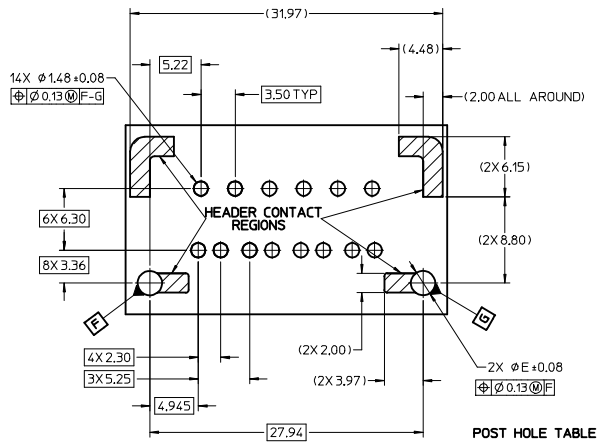


MATERIAL NUMBER		CKT SIZE	DESCRIPTION	POL	COLOR
TUBE PACK	TRAY PACK				
34695-9100	34695-0100	10	POWER STAC VERTICAL HEADER ASSEMBLY	A	BLACK
34695-9101	34695-0101	10	POWER STAC VERTICAL HEADER ASSEMBLY	B	GREY
34695-9102	34695-0102	10	POWER STAC VERTICAL HEADER ASSEMBLY	C	BROWN



RECOMMENDED PCB LAYOUT



POST HOLE TABLE

FOR DIM E:	
PRESS FIT	Ø2.60
DROP IN	Ø3.05

NOTES: VALID UNLESS OTHERWISE SPECIFIED

- GENERAL:
 - CONNECTOR HEADER MUST BE VALIDATED TO THE FOLLOWING FUNCTIONAL REQUIREMENTS:
 - PIN RETENTION - USCAR-2 REV 4
 - SOLDERABILITY - SMES-152
 - APPLICATION REQUIREMENTS (REFERENCE ONLY) FOR:
 - SEE APPLICATION SPECIFICATION - AS-34690-000
 - SEE PRODUCT SPECIFICATION - PS-31372-100
 - MATES WITH: SD-31372-900
 - PACKAGING SPECIFICATION PER MOLEX DRAWING PK-31300-892
- DESIGN MATERIALS:
 - SHROUD (PLASTIC HOUSING):
 - RESIN - SPS 30%GF
 - 1.50mm BLADES:
 - BASE MATERIAL: C19400
 - PLATING TYPE: AS NOTED
 - 2.80mm BLADES:
 - BASE MATERIAL: C19400
 - PLATING TYPE: AS NOTED
- PLATING REQUIREMENTS:
 - UNDERPLATING - OVERALL NICKEL
 - OVERPLATING - OVERALL TIN

UPDATED DIMENSIONS EC NO: UAU/2013-0229 DRAWN: FISCHER01 2012/08/13 CHKD: APPR: SARCEAU 2012/08/13	QUALITY SYMBOLS ▽=0 ▽=0	GENERAL TOLERANCES (UNLESS SPECIFIED)	DIMENSION STYLE MM ONLY	SCALE 4:1	DESIGN UNITS METRIC	THIRD ANGLE PROJECTION																								
		<table border="1"> <thead> <tr> <th></th> <th>mm</th> <th>INCH</th> </tr> </thead> <tbody> <tr> <td>4 PLACES</td> <td>± 0.25</td> <td>± 0.010</td> </tr> <tr> <td>3 PLACES</td> <td>± 0.20</td> <td>± 0.008</td> </tr> <tr> <td>2 PLACES</td> <td>± 0.13</td> <td>± 0.005</td> </tr> <tr> <td>1 PLACE</td> <td>± 0.25</td> <td>± 0.010</td> </tr> </tbody> </table>		mm	INCH	4 PLACES	± 0.25	± 0.010	3 PLACES	± 0.20	± 0.008	2 PLACES	± 0.13	± 0.005	1 PLACE	± 0.25	± 0.010	<table border="1"> <tr> <td>DRAWN BY</td> <td>DATE</td> </tr> <tr> <td>MBAILEY</td> <td>10/02/06</td> </tr> <tr> <td>CHECKED BY</td> <td>DATE</td> </tr> <tr> <td>CDILLON</td> <td>04/18/07</td> </tr> <tr> <td>APPROVED BY</td> <td>DATE</td> </tr> </table>	DRAWN BY	DATE	MBAILEY	10/02/06	CHECKED BY	DATE	CDILLON	04/18/07	APPROVED BY	DATE	TITLE STAC64 SINGLE BAY VERT 10 CKT. HEADER ASSEMBLY SALES DRAWING	
	mm	INCH																												
4 PLACES	± 0.25	± 0.010																												
3 PLACES	± 0.20	± 0.008																												
2 PLACES	± 0.13	± 0.005																												
1 PLACE	± 0.25	± 0.010																												
DRAWN BY	DATE																													
MBAILEY	10/02/06																													
CHECKED BY	DATE																													
CDILLON	04/18/07																													
APPROVED BY	DATE																													
DRAFT WHERE APPLICABLE MUST REMAIN WITHIN DIMENSIONS		MATERIAL NO. SEE CHART	DOCUMENT NO. SD-34695-100	SHEET NO. 1 OF 1																										